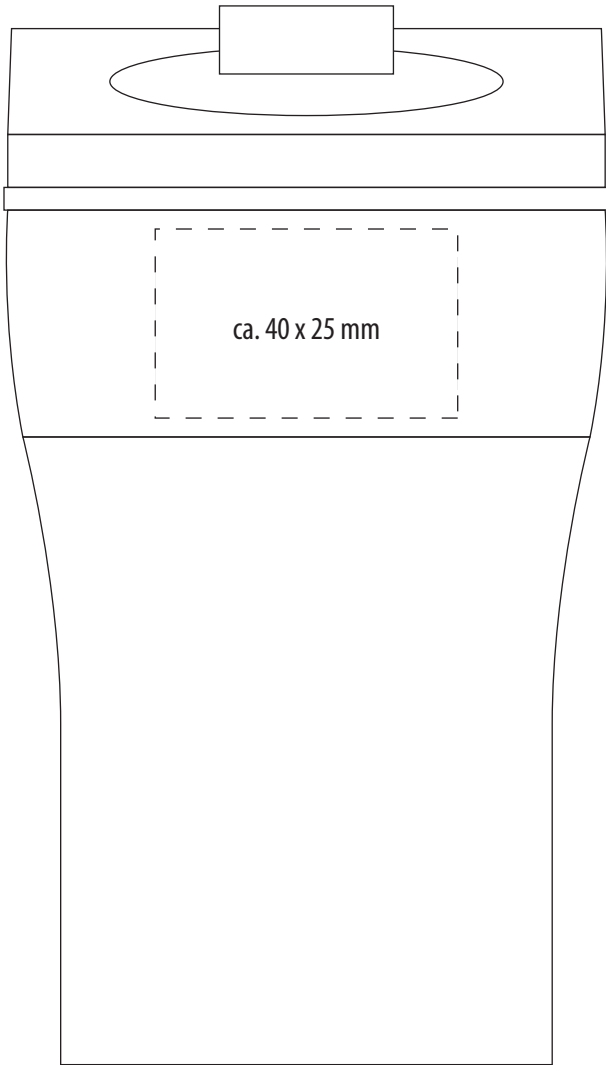
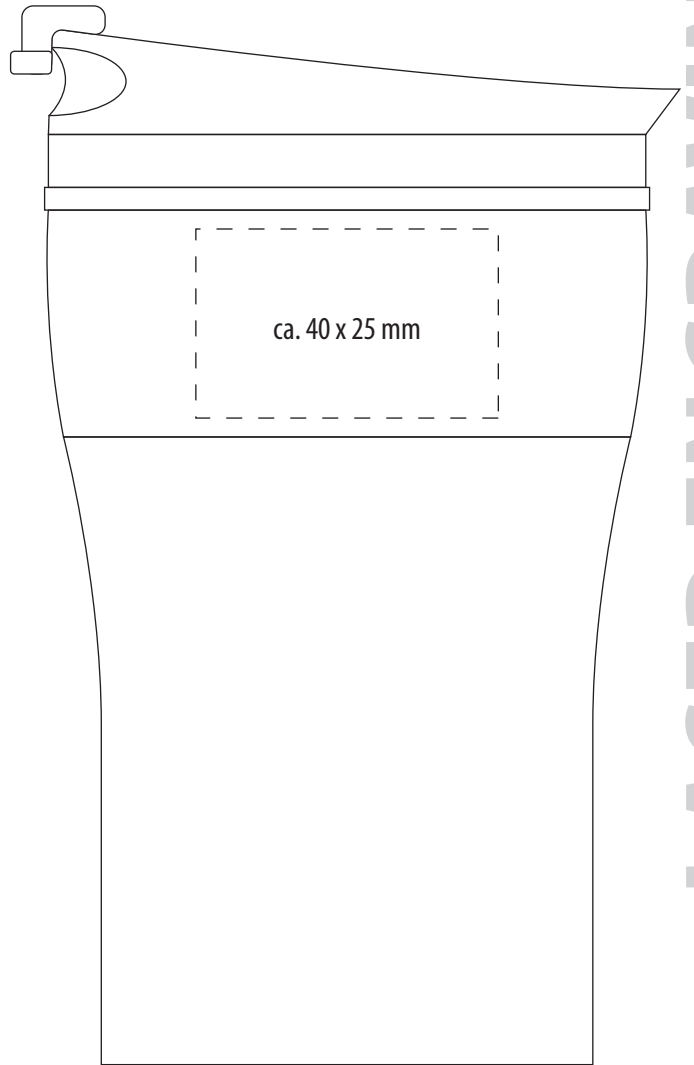


THERMOMUG RETUMBLER-BAYAMO CORPORATE (52525)



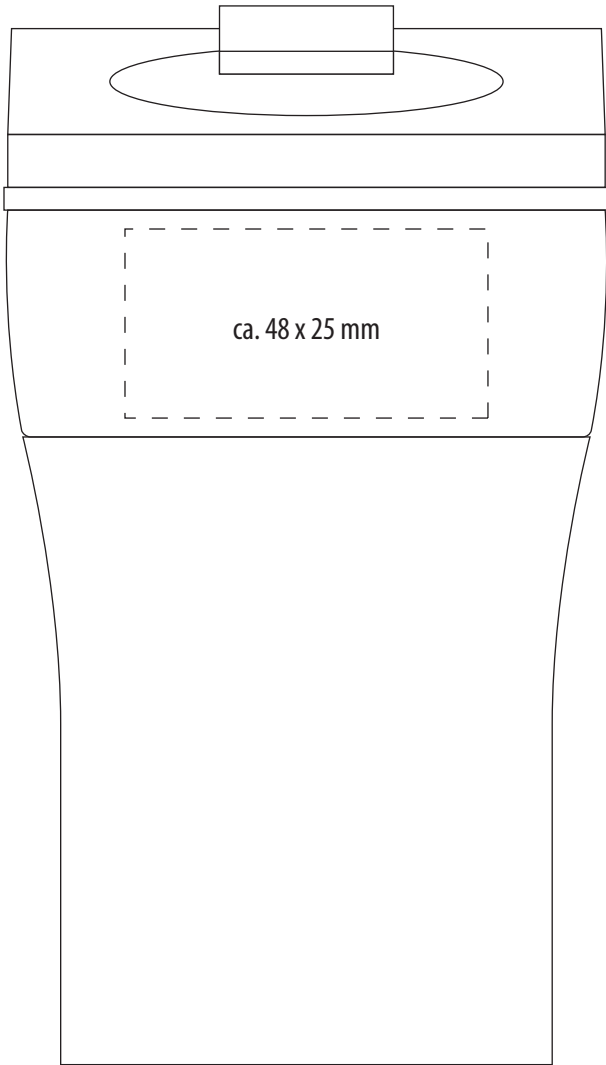
FRONT



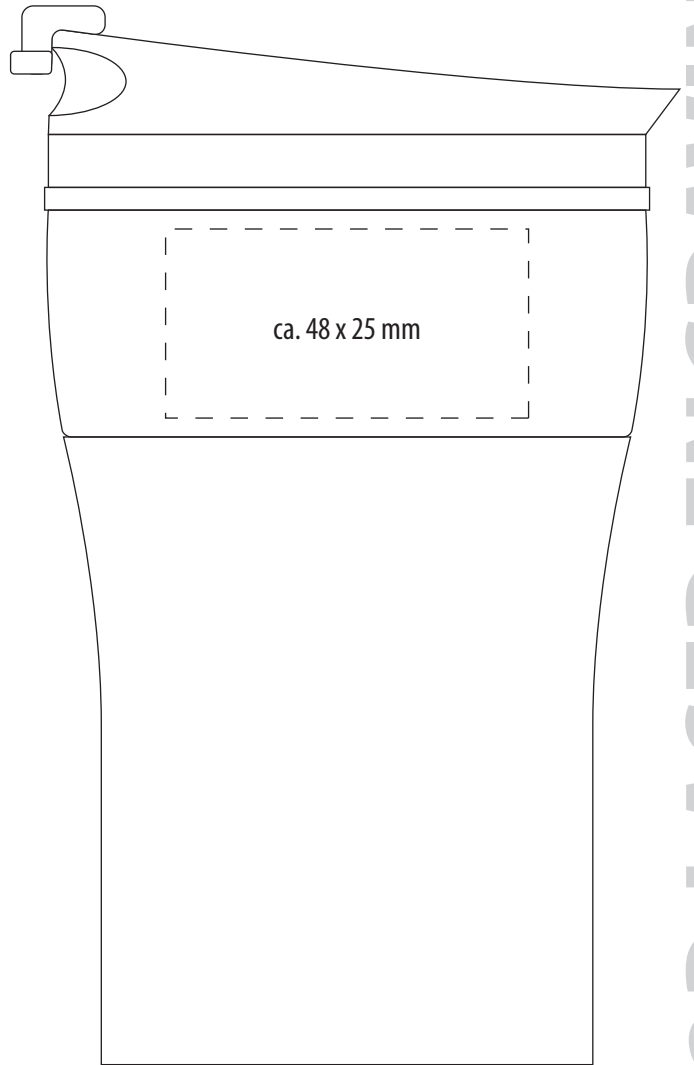
SIDE

LASER ENGRAVING (LAS)

THERMOMUG RETUMBLER-BAYAMO CORPORATE (52525)



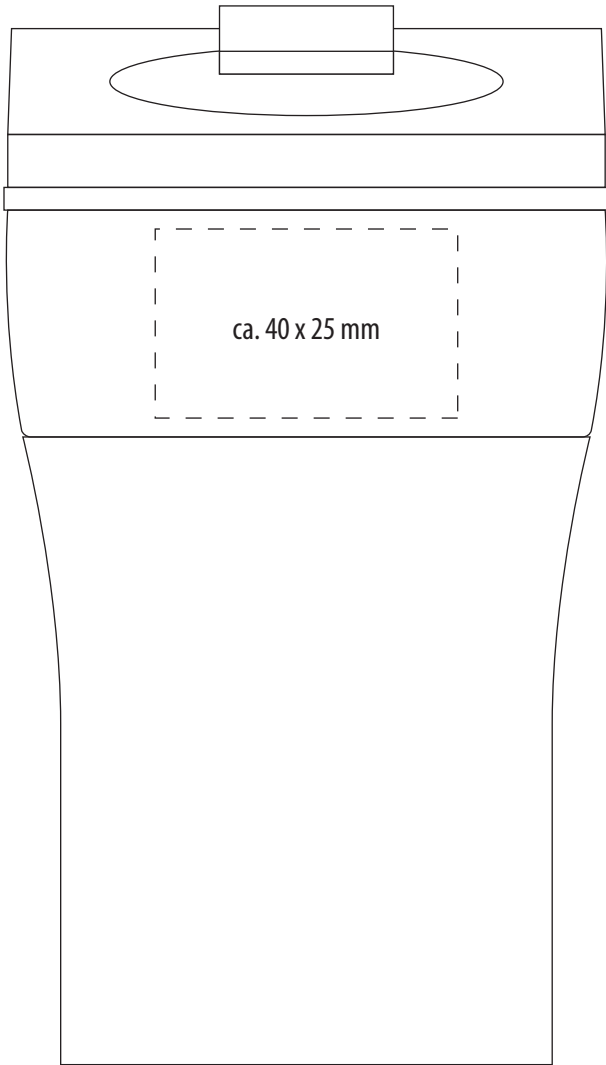
FRONT



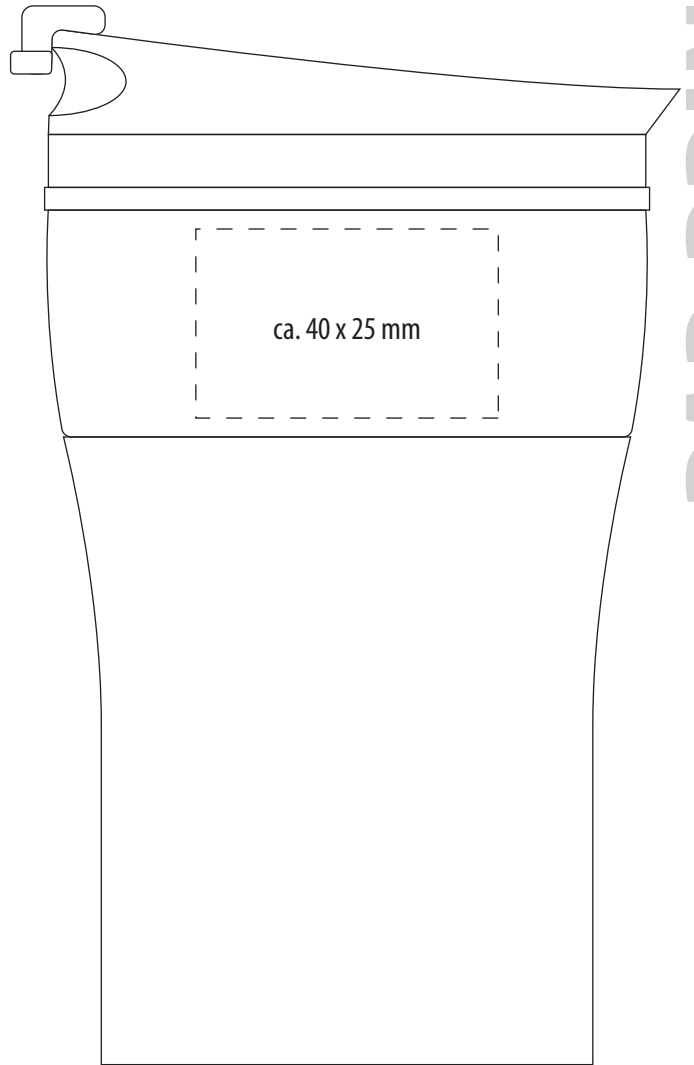
SIDE

3D LASER ENGRAVING (LAS)

THERMOMUG RETUMBLER-BAYAMO CORPORATE (52525)



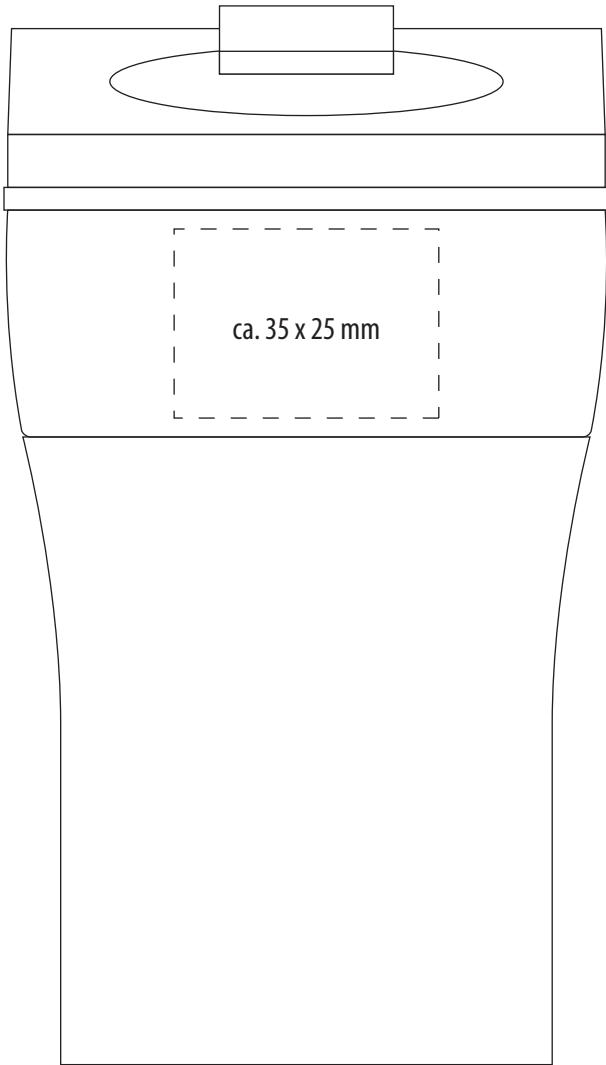
FRONT



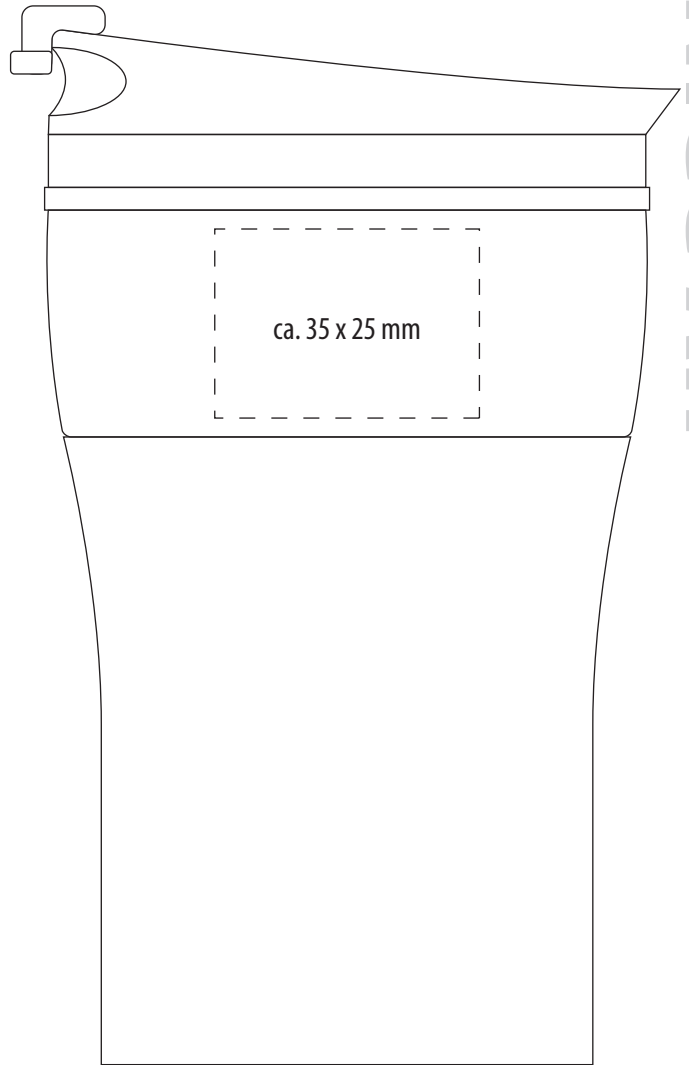
SIDE

PAD PRINT (TAM)

THERMOMUG RETUMBLER-BAYAMO CORPORATE (52525)

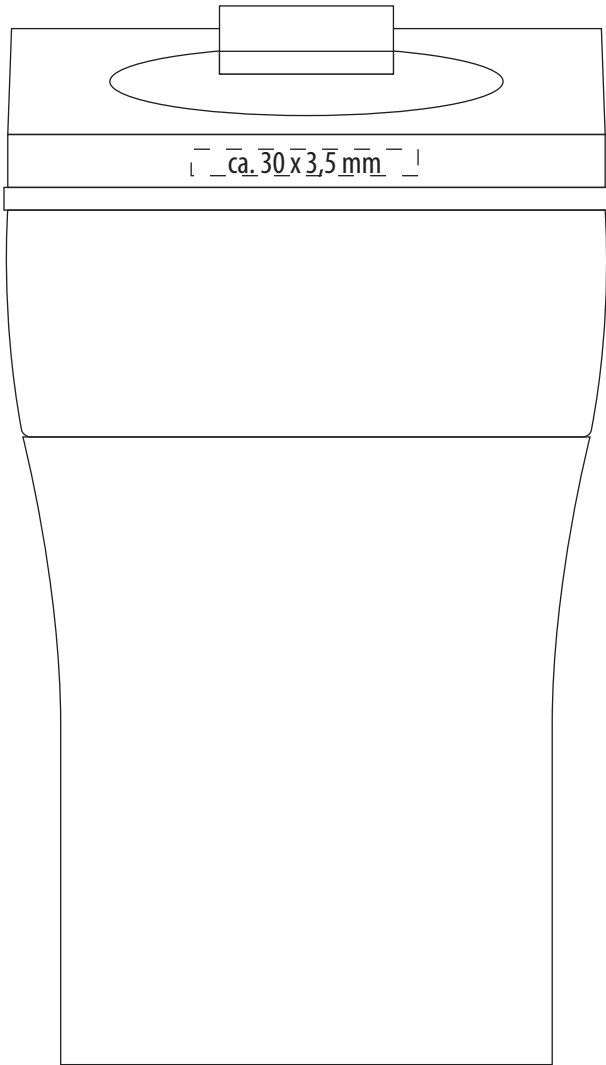


FRONT

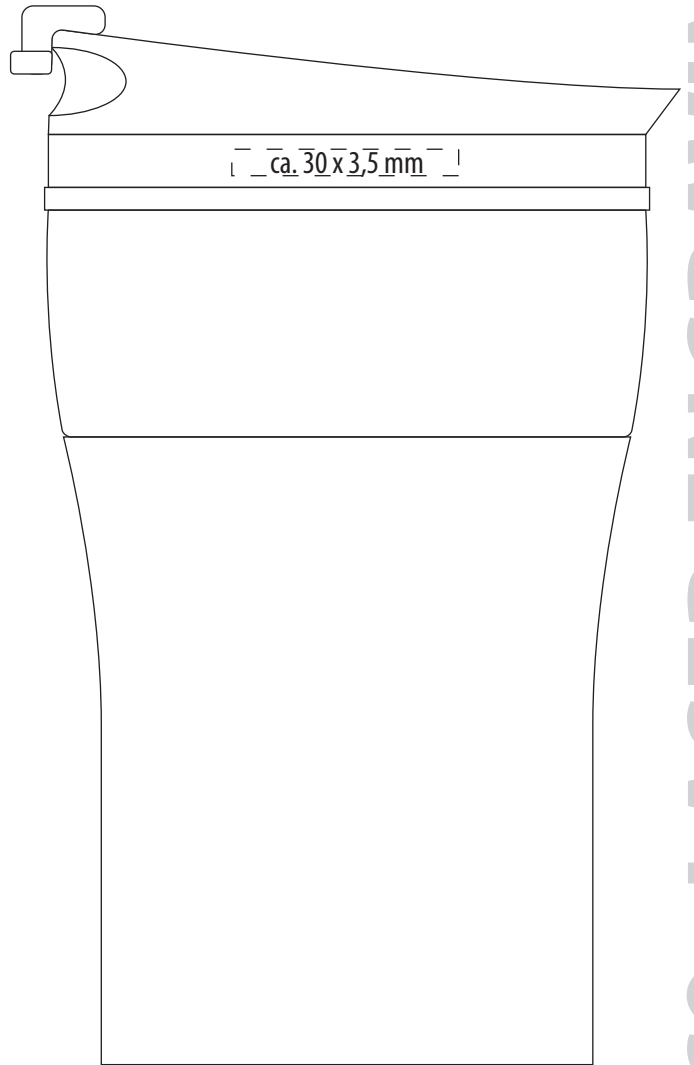


SIDE

THERMOMUG RETUMBLER-BAYAMO CORPORATE (52525)



FRONT



SIDE

CO<sub>2</sub> LASER ENGRAVING (COL)